



## CME 410 SLK.



Smooth steel electric grill/plancha.

- Same features as model CMG 410 SLK, but in electric version.
- Power 3.3 kW.
- Electric supply: 230V single phase or three-phase 400 V + N + E.
- Variable power control switch.

**CME 410 SLK**

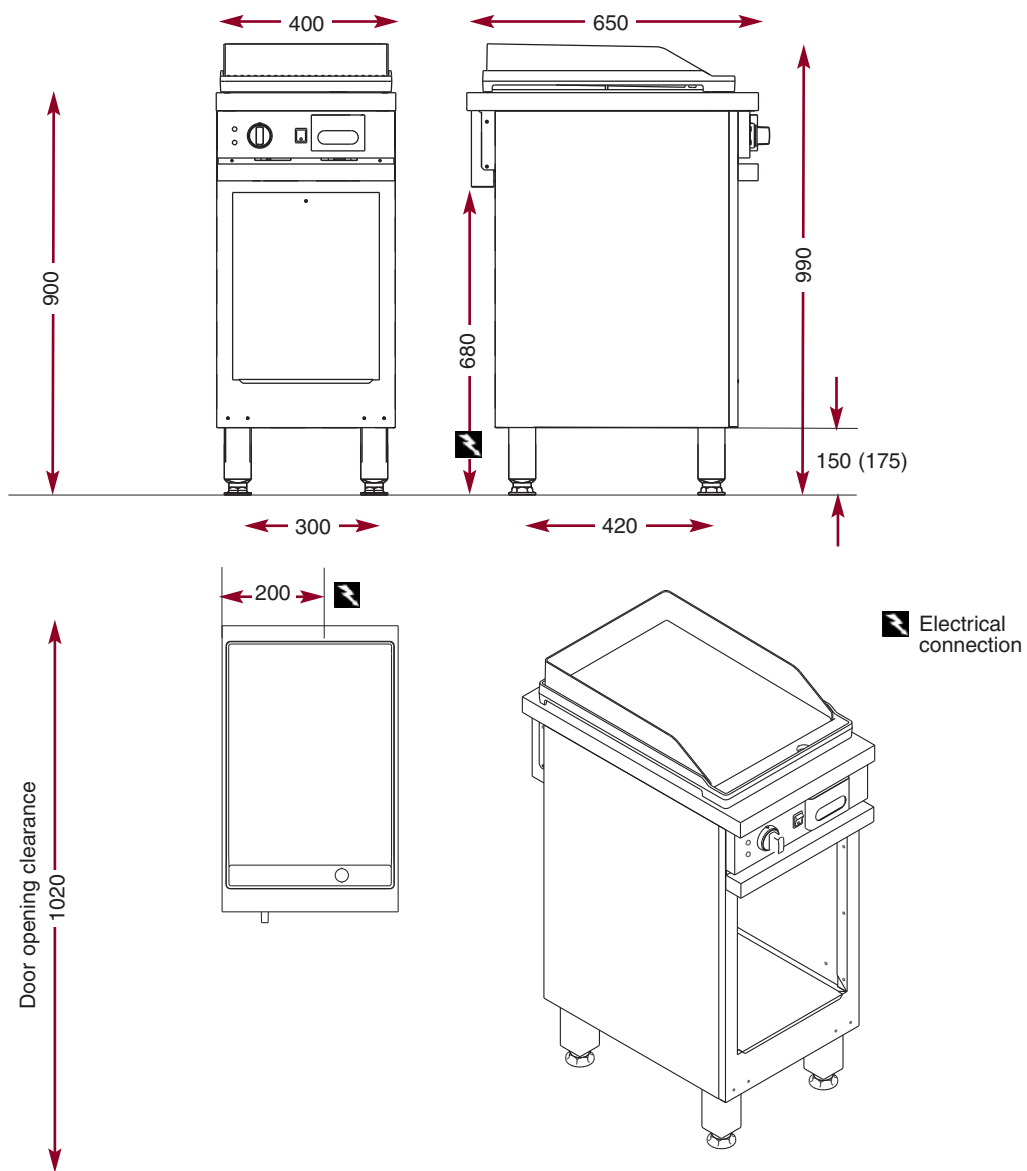
W 400 - D 650 - H 900

Door option 400.

**CPM 400**

# Smooth steel electric grill/plancha

## CME 410 SLK



Oil trap.

**AMBASSADE**  
DE ROUERGNE

*The Chef's Choice.*

N° 53 - 2